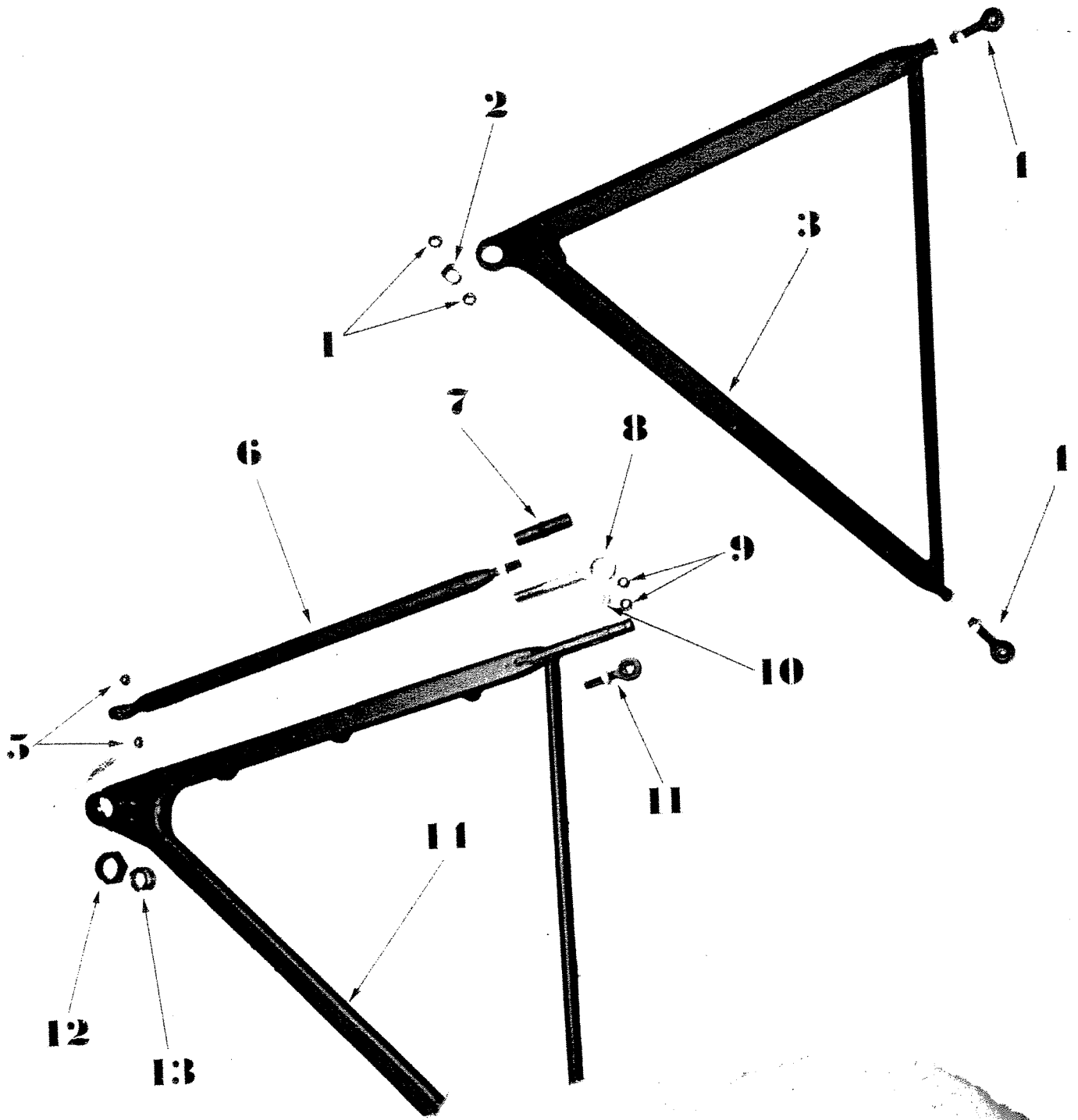


VAN DIEMEN RF97 FF2000 DRIVESHAFT ASSEMBLY

<u>Item No.</u>	<u>Part No.</u>	<u>Description</u>
1	93D1004	Cap & Sleeve complete
2	94D1000	Spring - Driveshaft plunger
3	94D0029	Plunger
4	F3D921000	Circlip
5	97D2008	Driveshaft
6	97D2026	Stop Driveshaft Inboard
7	94D0005	Gasket - CV
8	93D0005	Tripot Plunging Joint
9	F3D920040	Journal Assembly

VAN DIEBEN FRONT SUSPENSION

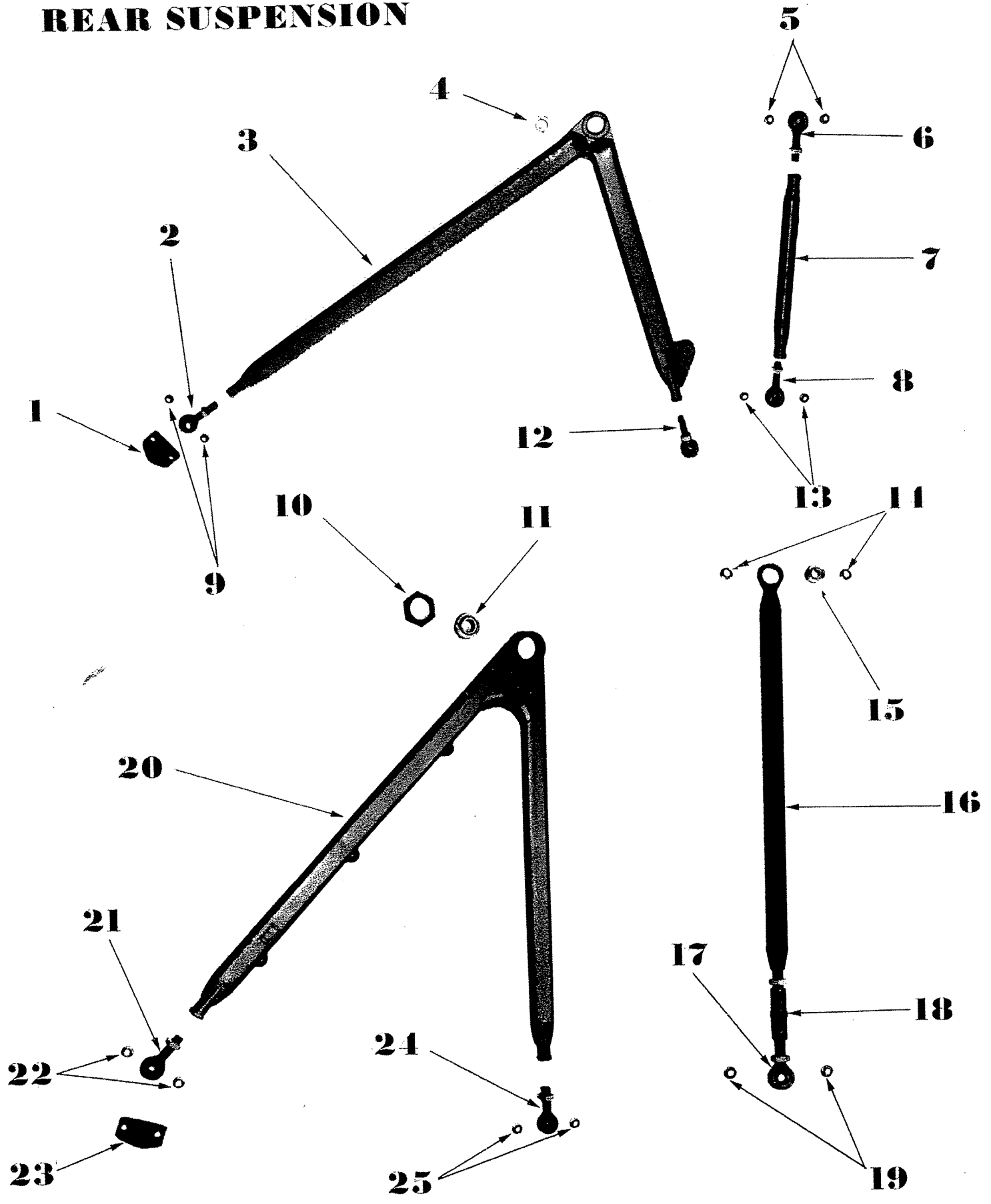


VAN DIEMEN RF97 FF2000

FRONT SUSPENSION

<u>Item No.</u>	<u>Part No.</u>	<u>Description</u>
1	95C0016R	Spacer
2	J1050	ABWT6V Spherical Bearing
3	97C2014	Front Top Wishbone
4	J1018	RC05 Rod End
5	84D0007	Spacer
6	97C2002	Front Push Rod
7	97C2026	Turnbuckle
8	97C2025	Banjo - Ft Push Rod
9	84D0007	Spacer
10	J1050	ABWT6V Spherical Brg
11	J1018	RC05 Rod End
12	95C0020	Retainer w/bone Brg
13	J1012	ABWT10 Spherical Brg
14	97C2011	Front Lower Wishbone LH
	97C2012	Front Lower Wishbone RH
15	J1047	ABWT5V Spherical Brg

VAN DIEMEN RF97 FF2000 REAR SUSPENSION



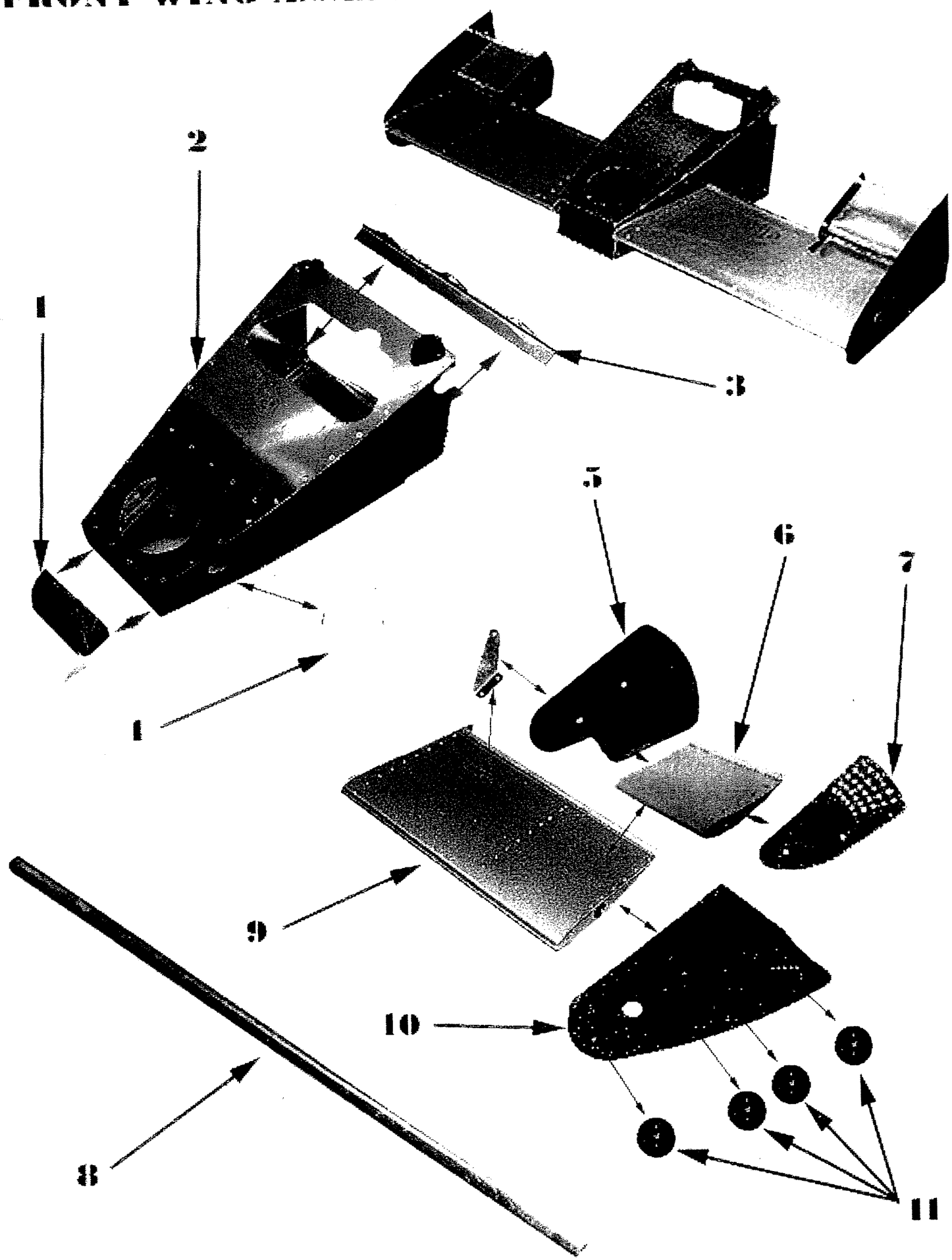
VAN DIEMEN RF97 FF2000

REAR SUSPENSION

<u>Item No.</u>	<u>Part No.</u>	<u>Description</u>
1	95D0014	Clevis - R/Top Fwd Leg to Adap
2	J1018	RC05 Rod End
3	97D2005	Rear Top Wishbone
4	J1050	ABWT6V Spherical Brg
5	95C0002R	Spacer
6	J1018	RC05 Rod End
7	97D2100	Toe In Adjuster
8	J1007	RCL05 Rod End
9	97D2014	Spacer
10	95C0020	Retainer - Wishbone Brg
11	J1012	ABWT10 Spherical bearing
12	J1018	RC05 Rod End
13	97D2014	Spacer
14	94D0007	Spacer
15	J1050	ABWT6V Spherical Brg
16	97D2006	Rear Push Rod
17	J1014	RCL06 Rod End
18	97C2026	Turnbuckle
19	84D0007	Spacer
20	97D2003	Rear Lower Wishbone LH
	97D2004	Rear Lower Wishbone RH
21	J1013	RC06 Rod End
22	84D0007	Spacer
23	95D0015	Clevis R. Lwr w/bone to adap & g/box
24	J1013	RC06 Rod End
25	84D0007	Spacer

VAN DIEMEN 10500-12000 FRONT WING ASSEMBLY

121



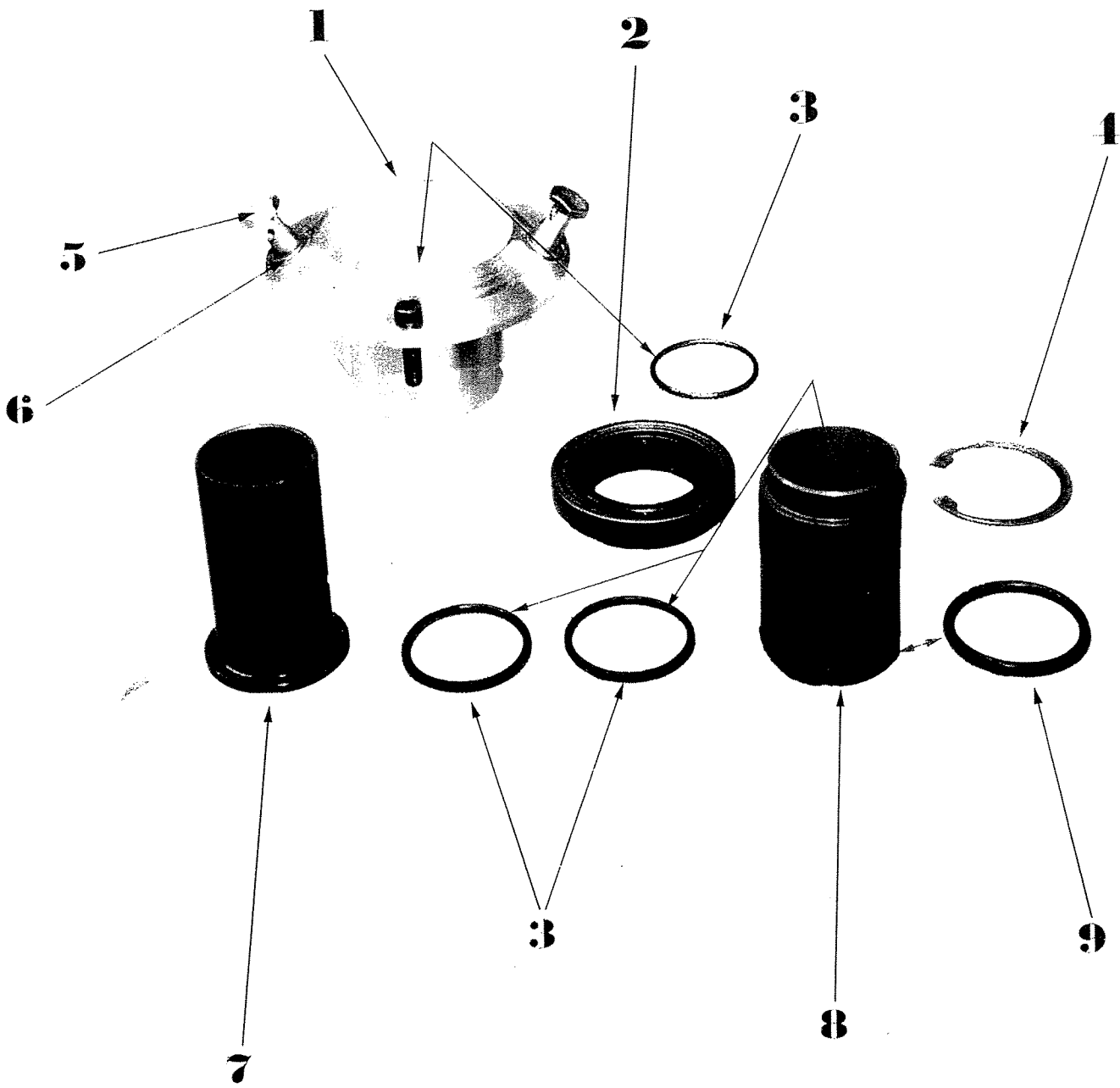
VAN DIEMEN RF97 FF2000

FRONT WING ASSEMBLY

<u>Item No.</u>	<u>Part No.</u>	<u>Description</u>
1	96B2215	Nose Locator
2	97A2007	Nose Structure
3	96A2012	Front Skid
4	96A2011	Bearing Block - Wing Tube
5	95B2024	End Plate - Inboard Flap
6	95B2023	Flap - Front Wing
7	95B2025	Camber Plate LH
	95B2026	Camber Plate RH
8	96B2102	Front Wing Pole
9	96B2007	Front Wing LH
	96B2008	Front Wing RH
10	95B2027	Front Wing End Plate
11	88B2022	Washer - Ft Wing End Plate

VAN DIEMEN BF97 FF2000 CLUTCH SLAVE ASSY

4



VAN DIEMEN RF97 FF2000 CLUTCH SLAVE ASSEMBLY

<u>Item No.</u>	<u>Part No.</u>	<u>Description</u>
1	93N0001	Cylinder - Clutch Release
2	FR89N0005	Clutch Release Bearing
3	FR89N1005	O Ring
4	90E1005	Circlip
5	Z1003	Banjo Bolt
6	Z1004	Banjo Washer
7	90N0004	Sleeve - Clutch Release
8	90N0008	Piston - Clutch Release
9	85N1001	O ring

