



Van Diemen RF98
Formula 2000 Parts Catalog

T A B L E



BODYWORK

FRONT SUSPENSION

REAR SUSPENSION

FRONT UPRIGHT

REAR UPRIGHT

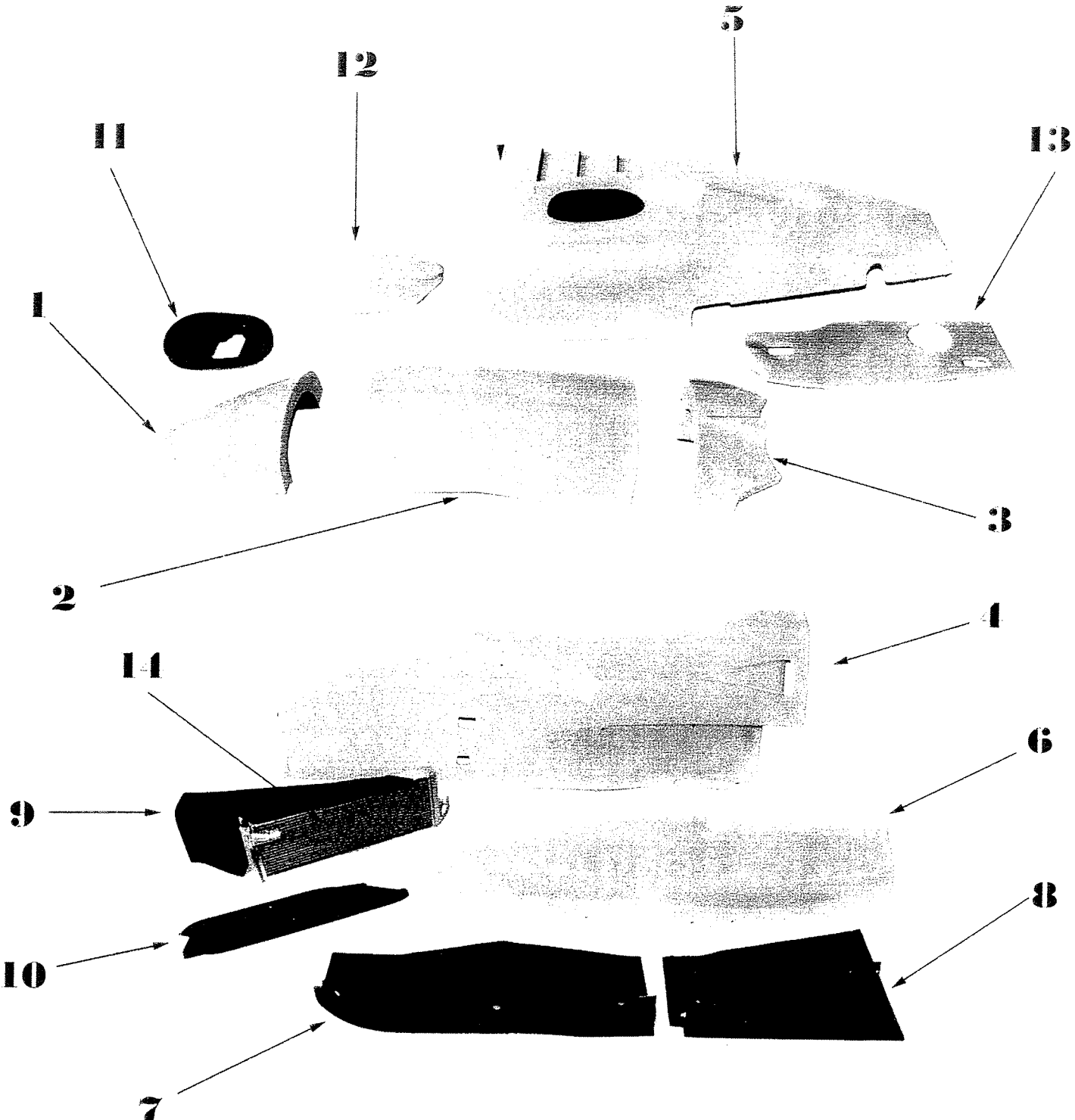
FRONT & REAR LEVERS

DRIVESHAFT ASSEMBLY

BRAKES

CLUTCH SLAVE ASSEMBLY

VAN DIEMEN RF98 FF2000 BODYWORK

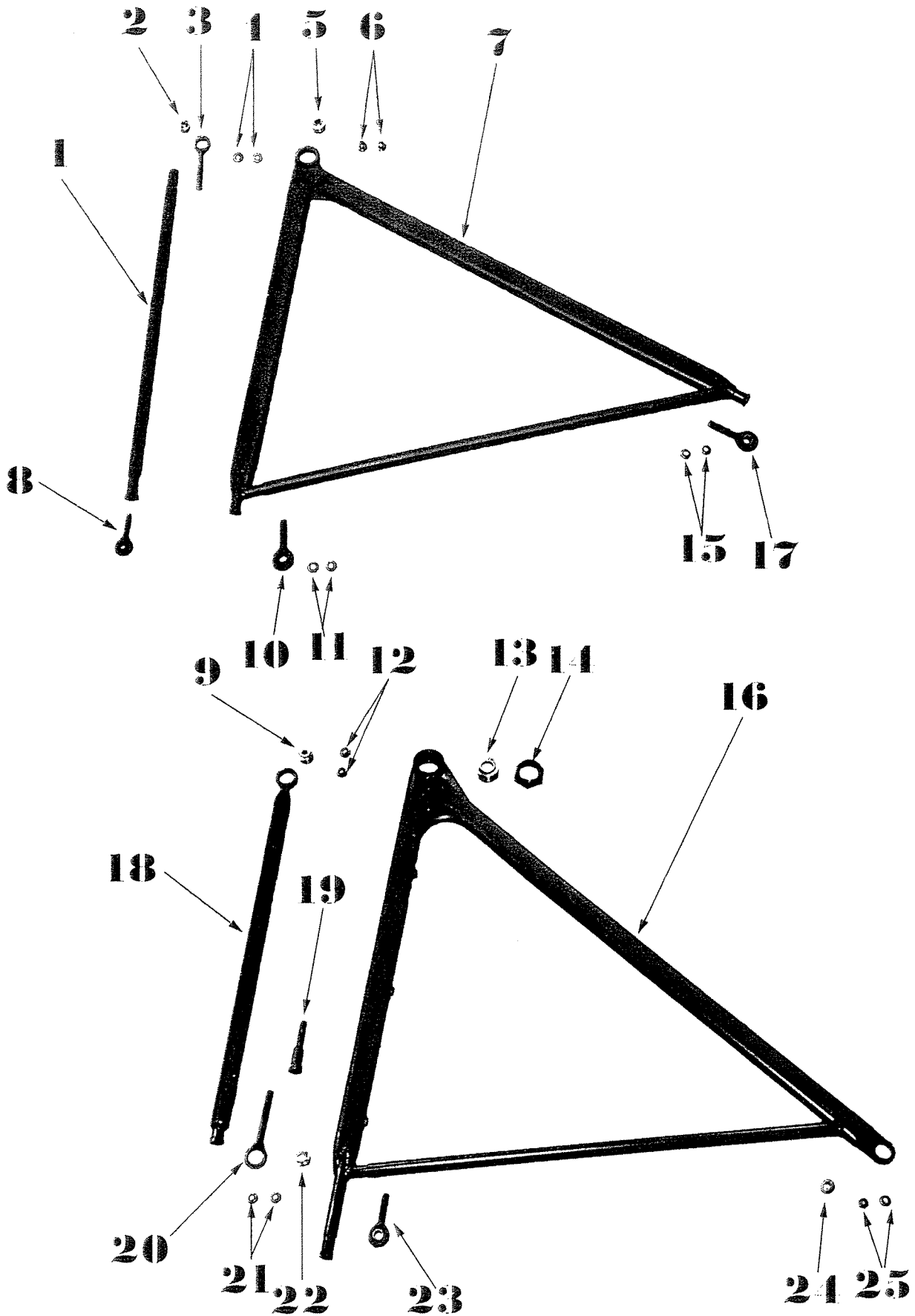


VAN DIEMEN RF98 FF2000

BODYWORK

| <u>Item No</u> | <u>Part No.</u> | <u>Description</u> |
|----------------|--------------------|--|
| 1 | 98B2200 | Nose Cap |
| 2 | 98B2201 | Cockpit Front |
| 3 | 98B2202 | Cockpit Top |
| 4 | 98B2203 98B2204 | LH Cockpit Side (Shown) RH " " |
| 5 | 98B2205 | Tail |
| 6 | 98B2207 98B2208 | LH Side Pod Top (Shown) RH " " " |
| 7 | 98B2209 98B2210 | LH Side Pod Bottom - Front (Shown) RH " " " " |
| 8 | 98B2211 98B2212 | LH Side Pod Bottom - Rear (Shown) RH " " " " |
| 9 | 98B2215 98B2216 | LH Inner Rad Duct(Shown) RH " " " |
| 10 | 98B2221 98B2222 | LH Rad Tray (Shown) RH " " |
| 11 | 98B2218 | Inner Air Box |
| 12 | 98B2206 | Air Box |
| 13 | 98B2213 98B2214 | LH Gear Box Cover (Shown) RH " " " |
| 14 | 98Q2003 98Q2002 | LH Radiator (Shown) RH Radiator |

VAN DIEMEN RF98 FF2000 FRONT SUSPENSION

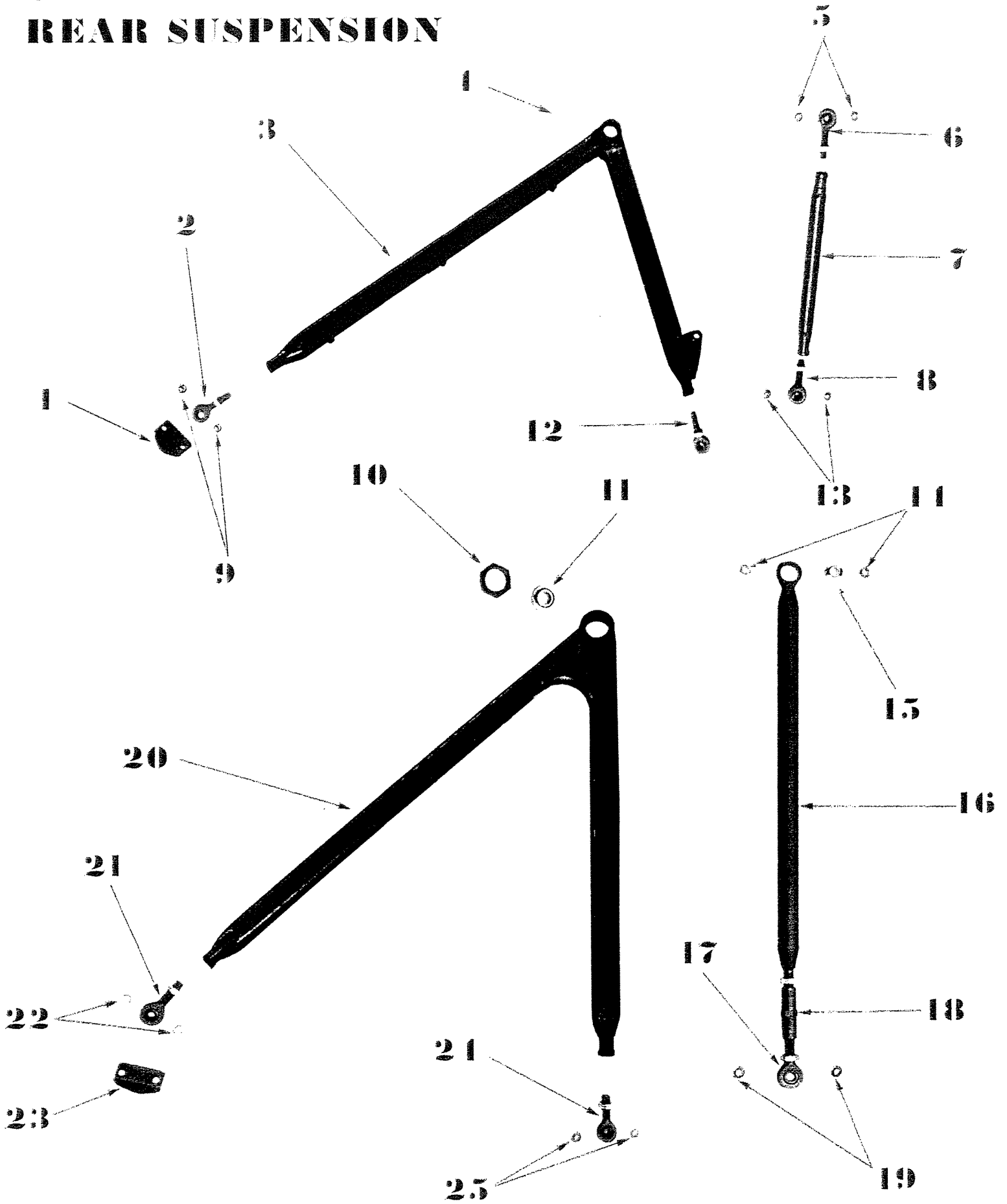


VAN DIEMEN RF98 FF2000

FRONT SUSPENSION

| <u>Item No</u> | <u>Part No.</u> | <u>Description</u> |
|----------------|-----------------|-----------------------------|
| 1 | 97H2004 | Track Rod |
| 2 | J1043 | ABWT4V |
| 3 | 97H2003 | Banjo - Track rod |
| 4 | 90C0019 | Spacer |
| 5 | J1050 | ABWT6V |
| 6 | 84D0007 | Spacer |
| 7 | 98C2006 | Front Top Wishbone |
| 8 | J1020 | RCL04 |
| 9 | J1050 | ABWT6V |
| 10 | J1018 | RC05 |
| 11 | 95C0002R | Spacer |
| 12 | 84D0007 | Spacer |
| 13 | J1012 | ABWT10 |
| 14 | 95C0020 | Retainer - Wishbone bearing |
| 15 | 95C0002R | Spacer |
| 16 | 98C2004 | RH Front Lower Wishbone |
| 17 | J1018 | RC05 |
| 18 | 98C2008 | Front Push Rod |
| 19 | 97C0011R | Turnbuckle |
| 20 | 97C0010R | Bearing Housing F.Push Rod |
| 21 | 97C0014R | Spacer |
| 22 | J1047 | ABWT5V |
| 23 | J1018 | RC05 |
| 24 | J1047 | ABWT5V |
| 25 | 84D0007 | Spacer |

VAN DIEMEN RF98 FF2000 REAR SUSPENSION

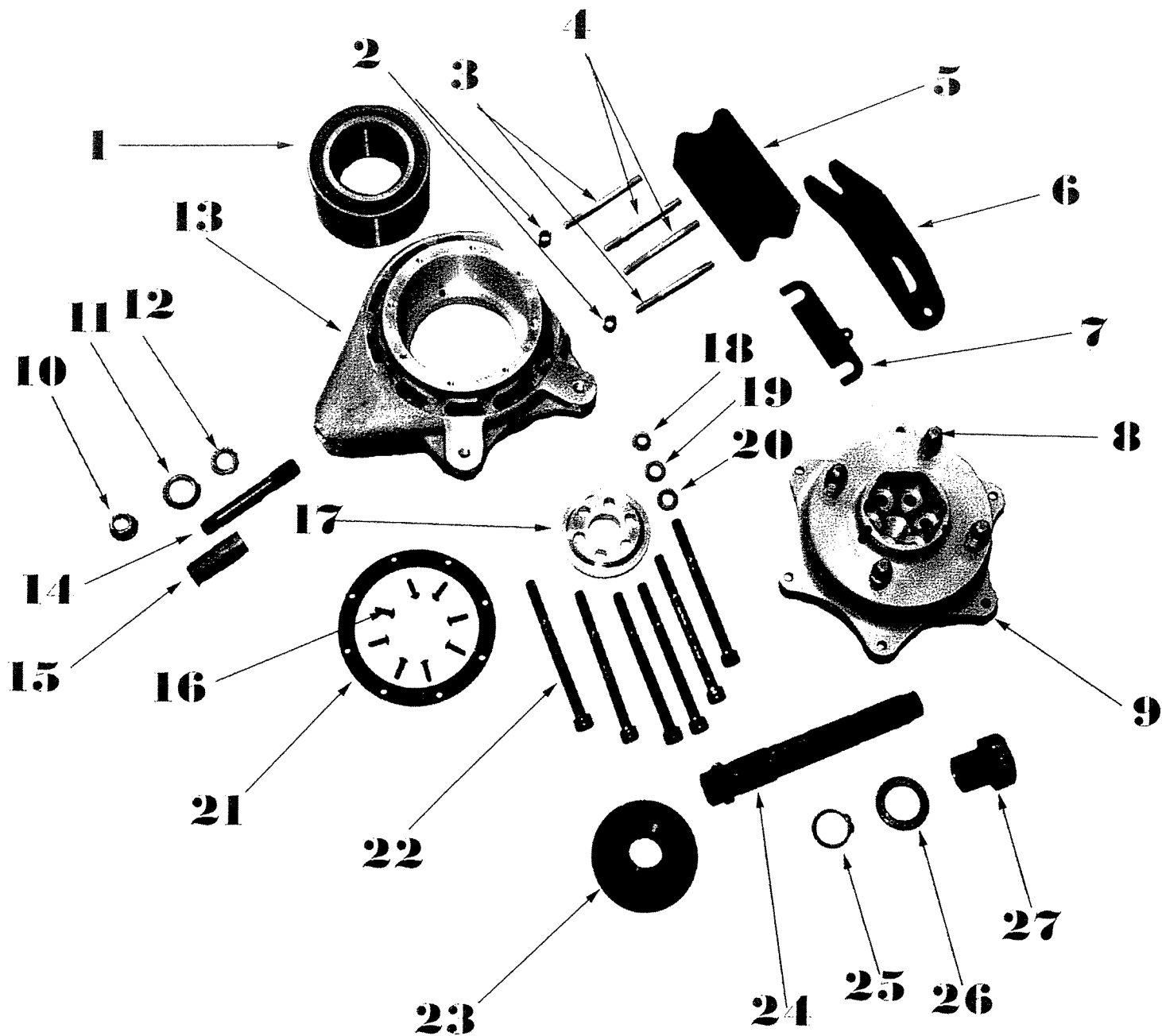


VAN DIEMEN RF98 FF2000

REAR SUSPENSION

| <u>Item No</u> | <u>Part No.</u> | <u>Description</u> |
|----------------|-----------------|---------------------------------------|
| 1 | 95D0014 | Clevis - R/Top fwd leg to adapt |
| 2 | J1018 | RC05 rod end |
| 3 | 97D2005 | Rear top wishbone |
| 4 | J1050 | ABWT6V spherical bearing |
| 5 | 95C0002R | Spacer |
| 6 | J1018 | RC05 Rod end |
| 7 | 97D2100 | Toe in adjuster |
| 8 | J1007 | RCL05 Rod end |
| 9 | 97D2014 | Spacer |
| 10 | 95C0020 | Retainer - wishbone bearing |
| 11 | J1012 | ABWT10 Spherical bearing |
| 12 | J1018 | RC05 Rod end |
| 13 | 97D2014 | Spacer |
| 14 | 94D0007 | Spacer |
| 15 | J1050 | ABWT6V Spherical bearing |
| 16 | 97D2006 | Rear Push rod |
| 17 | J1014 | RCL06 Rod end |
| 18 | 97D2026 | Turnbuckle |
| 19 | 84D0007 | Spacer |
| 20 | 97D2003 | Rear lower wishbone LH |
| | 97D2004 | Rear lower wishbone RH |
| 21 | J1013 | RC06 Rod end |
| 22 | 84D0007 | Spacer |
| 23 | 95D0015 | Clevis R.lwr w/ bone to adapt & g/box |
| 24 | J1013 | RC06 Rod end |
| 25 | 84D0007 | Spacer |

VAN DIEMEN RF98 FF2000 FRONT UPRIGHT

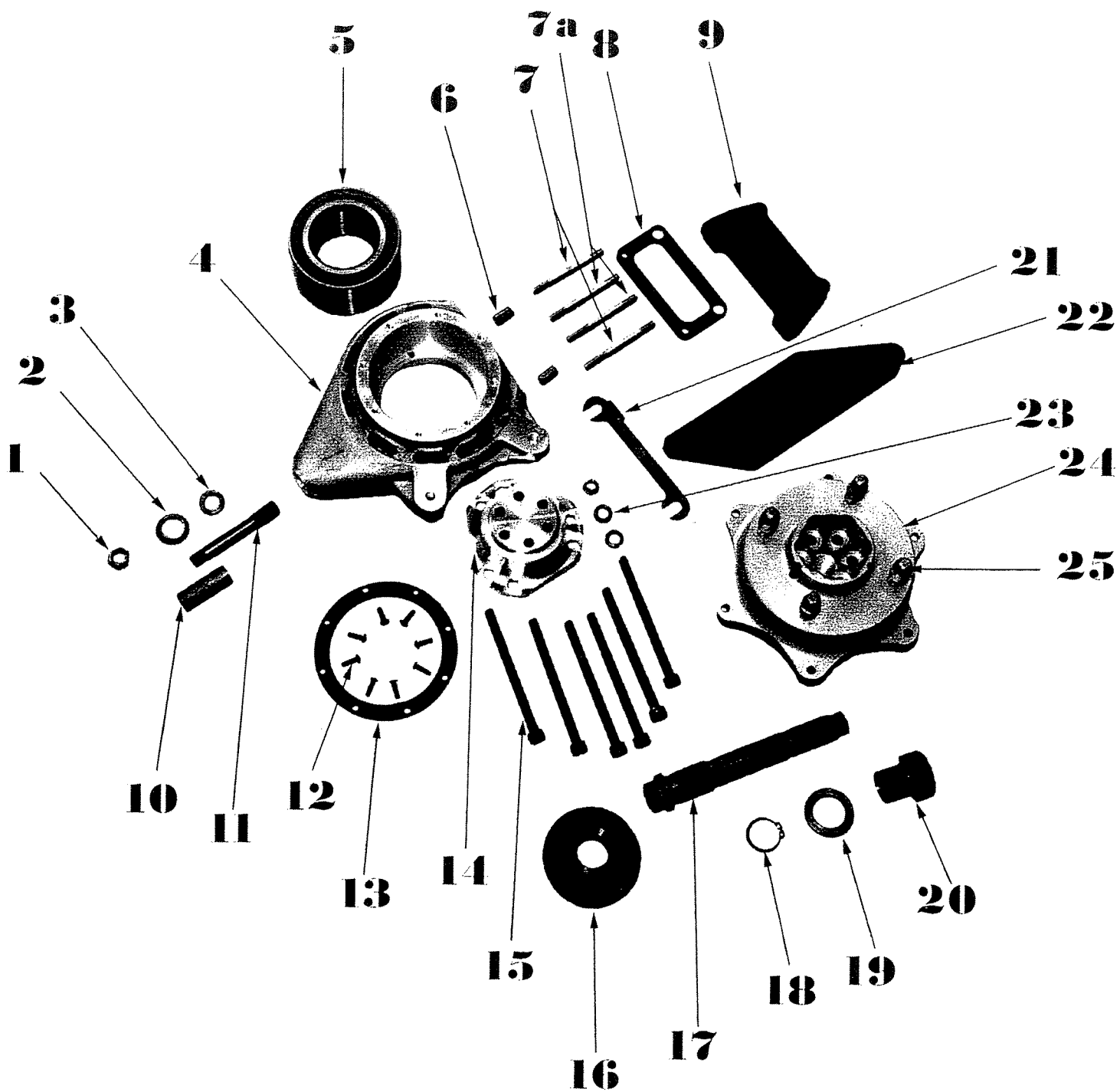


VAN DIEMEN RF98 FF2000

FRONT UPRIGHT

| <u>Item No</u> | <u>Part No.</u> | <u>Description</u> |
|----------------|-----------------|---------------------------------|
| 1 | 95C1000 | Wheel Bearing |
| 2 | 96C0001 | Dowel - Upright to steering arm |
| 3 | 97C2008 | Stud - 50mm |
| 4 | 97C2007 | Stud - 44mm |
| 5 | 97C2003 | Block - Upright to steering arm |
| 6 | 97C2004 | Steering arm |
| 7 | 97C2005 | Camber shim - 0.90mm |
| 8 | WCD0002 | Wheel drive peg |
| 9 | 95C0006 | Hub |
| 10 | 90A1006 | 7/16 Kaynut |
| 11 | 97D2011 | Spacer - Bottom pin |
| 12 | 95C0033 | Washer - lower ball joint |
| 13 | 97D2009 | F.upright |
| | 97D2010 | F.upright |
| 14 | S4C0010 | Bottom pin |
| 15 | S4c0011 | Sleeve - bottom pin |
| 16 | | 8/32nf x 1/2" button head screw |
| 17 | 95C0008 | Inner flange f.hub |
| 18 | 84F0018 | M8 kaynut |
| 19 & 20 | 94D0001/TH | Washer - drive bolt |
| 21 | 95C0007 | Retaining ring - wheel bearing |
| 22 | | M8 x 100mm Drive bolt |
| 23 | 87G0023 | Wheel centre lock boss |
| 24 | 97D2012 | Centre pin |
| 25 | 87G0022 | Circlip |
| 26 | 90C1009 | Special Washer |
| 27 | 87G0020 | Nut - centre lock wheel |

VAN DIEMEN RF98 FF2000 REAR UPRIGHT ASSEMBLY



VAN DIEMEN RF98 FF2000

REAR UPRIGHT ASSEMBLY

| <u>Item No.</u> | <u>Part No.</u> | <u>Description</u> |
|-----------------|-----------------|--------------------------------------|
| 1 | 90A1006 | 7/16 Kaynut |
| 2 | 97D2011 | Spacer- bottom pin |
| 3 | 95C0033 | Washer - lower ball joint |
| 4 | 97D2009K | Rear upright |
| | 97D2010K | Rear upright |
| 5 | 95C1000 | Wheel bearing |
| 6 | 96C0001 | Dowel - upright to steering arm |
| 7 | 97D2023 | Stud |
| 7a | 97D2024 | Stud |
| 8 | 95D0011 | Spacer - r.upright to strg arm block |
| 9 | 95D0010 | Block - r.upright to steering arm |
| 10 | S4C0011 | Spacer - bottom pin |
| 11 | S4C0010 | Bottom pin |
| 12 | | 8/32nf x 1/2 button head screw |
| 13 | 95C0007 | Retaining ring - wheel bearing |
| 14 | 95D0001 | R,Drive flange |
| 15 | | M8 x 100mm drive bolt |
| 16 | 87G0023 | Wheel centre lock boss |
| 17 | 97D2012 | Centre pin |
| 18 | 87G0022 | Circlip |
| 19 | 90C1009 | Special washer |
| 20 | 87G0020 | Nut - Centre lock wheel |
| 21 | 95D0010R | Camber shim 14 swg |
| 22 | 97D2007 | Steering arm |
| 23 | 94D0001/TH | Washer - drive bolt |
| 24 | 95C0006 | Hub |
| 25 | WCD0002 | Wheel drive peg |

